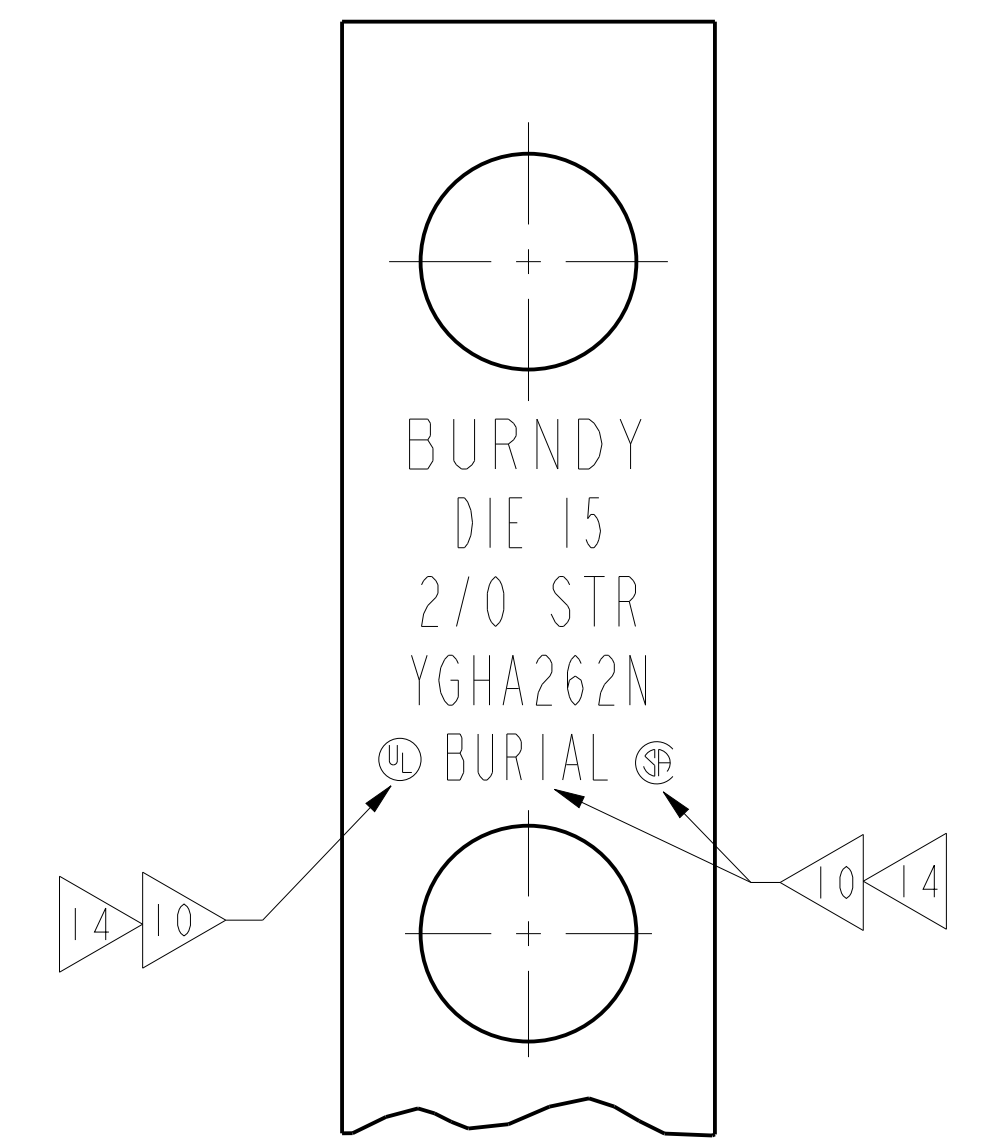


| REV | DATE | DESCRIPTION | ECO | BY | CHK. |
|-----|------------------------|-----------------------|-------|----|------|
| H | 01/05/2016 00:00:00 AM | UPDATED AS PER MARKUP | 42526 | RW | MB |

| CATALOG NUMBER | COPPER CONDUCTOR | | DIMENSIONS IN/mm | | | | | INSTALLATION DATA | | |
|----------------|--|------------|------------------|--------------|---------------|--------------|-------------|-------------------|--------------------------------------|---------------|
| | SIZE | STR. | B MIN. | C | L | O.D. | T | DIE INDEX NO. | HYPRESS™ Y35/Y39/Y45/Y46/Y750 Y60BHU | NO. OF CRIMPS |
| YGHA2C2N | #2 (.292 DIA.) [35mm ² (7.6mm DIA.)] | 7 | .75 [19] | .97 [25] | 4.21 [107] | .50 [13] | .26 [7] | 11 | UICRT | 1 |
| YGHA252N | 1/0 (.372 DIA.) [50mm ² (9.4mm DIA.)] | 7, 19 | .83 [21] | .91 [23] | 4.60 [117] | .63 [16] | .19 [5] | 14 | U27RT | 1 |
| YGHA262N | 2/0 (.420 DIA.) [70mm ² (10.9mm DIA.)] | 7, 19, 37 | .83 [21] | .97 [25] | 4.38 [111] | .71 [18] | .26 [7] | 15 | U28RT | 1 |
| YGHA272N | 3/0 (.470 DIA.) [70mm ² (11.9mm DIA.)] | 7, 19 | 1.18 [30] | 1.08 [27] | 4.94 [125] | .79 [20] | .29 [7] | 16 | U29RT | 2 |
| 9 YGHA282N | 4/0 (.528 DIA.) | 7, 12, 19 | 1.18 [30] | 1.22 [31] | 4.94 [125] | .89 [23] | .30 [8] | 17 | U30RT | 2 |
| 9 YGHA282NNK | [95mm ² (12.5mm DIA.)] | | | | | | | | | |
| YGHA292N | 250 kcmil (.575 DIA.) [120mm ² (14.4mm DIA.)] | 7, 19, 37 | 1.18 [30] | 1.28 [32] | 4.94 [125] | .95 [24] | .34 [9] | 18 | U31RT | 2 |
| YGHA302N | 300 kcmil (.710 DIA.) [150mm ² (18.0mm DIA.)] | 12, 19, 37 | 1.18 [30] | 1.42 [46] | 5.00 [127] | 1.05 [27] | .39 [10] | 19 | U32RT | 2 |
| YGHA312N | 350 kcmil (.750 DIA.) [185mm ² (17.8mm DIA.)] | 12, 19, 37 | 1.18 [30] | 1.62 [41] | 5.00 [127] | 1.17 [30] | .43 [11] | 20 | U34RT | 2 |
| YGHA322N | 400 kcmil (.728 DIA.) ----- | 19, 37 | 1.41 [36] | 1.67 [42] | 5.30 [141] | 1.24 [31] | .48 [12] | 209 | U209 | 3 |
| YGHA342N | 500 kcmil (.813 DIA.) [240mm ² (20.4mm DIA.)] | 19, 37 | 1.48 [38] | 1.72 [44] | 5.42 [138] | 1.24 [32] | .40 [10] | 22 | U36RT | 3 |
| YGHA362N | 600 kcmil (.893 DIA.) [300mm ² (22.7mm DIA.)] 7/8 (19 NO.5) STRANDED COPPER WELD (.910 DIA.) | 37, 61, 91 | 1.38 [35] | 2.10 [53] | 5.48 [139] | 1.55 [39] | .58 [15] | 576 | L576 | 1 |
| YGHA392N | 750 kcmil (.998 DIA.) ----- | 37, 61 | 3.03 [77] | 2.31 [59] | 7.25 [184] | 1.70 [43] | .64 [16] | 627 | L627 | 2 |

| CATALOG NO. | TOLERANCE | |
|------------------------------|----------------|----------------|
| | C | L |
| YGHA2C2N | ±.03 [±.8] | ±.09 [±2.3] |
| YGHA252N THRU YGHA392N | ±.08 [±2.0] | ±.12 [±3.0] |



TYPICAL LETTERING

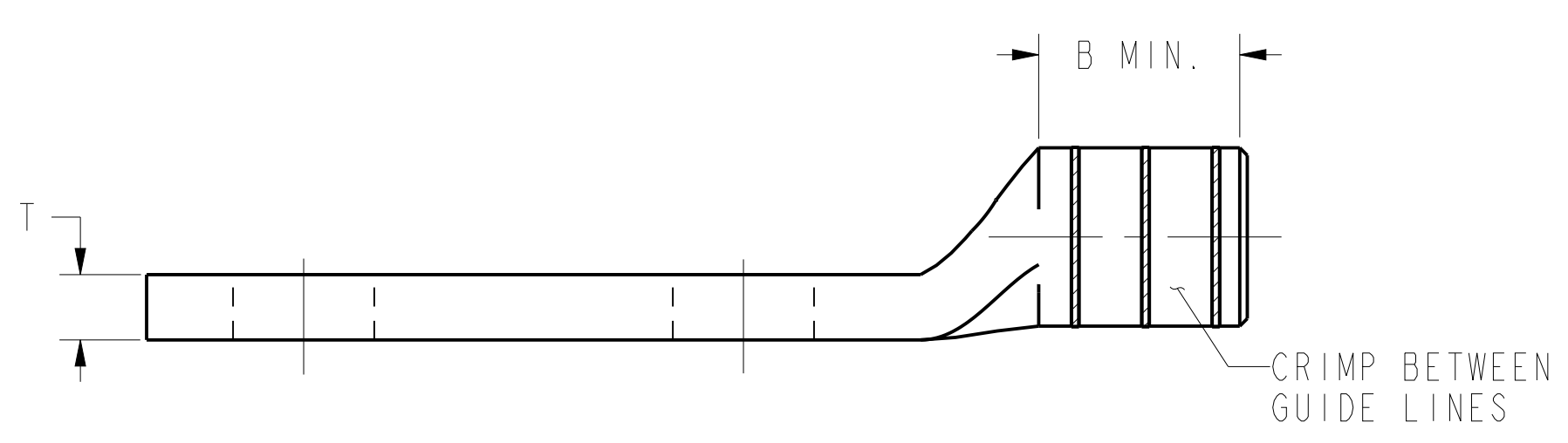
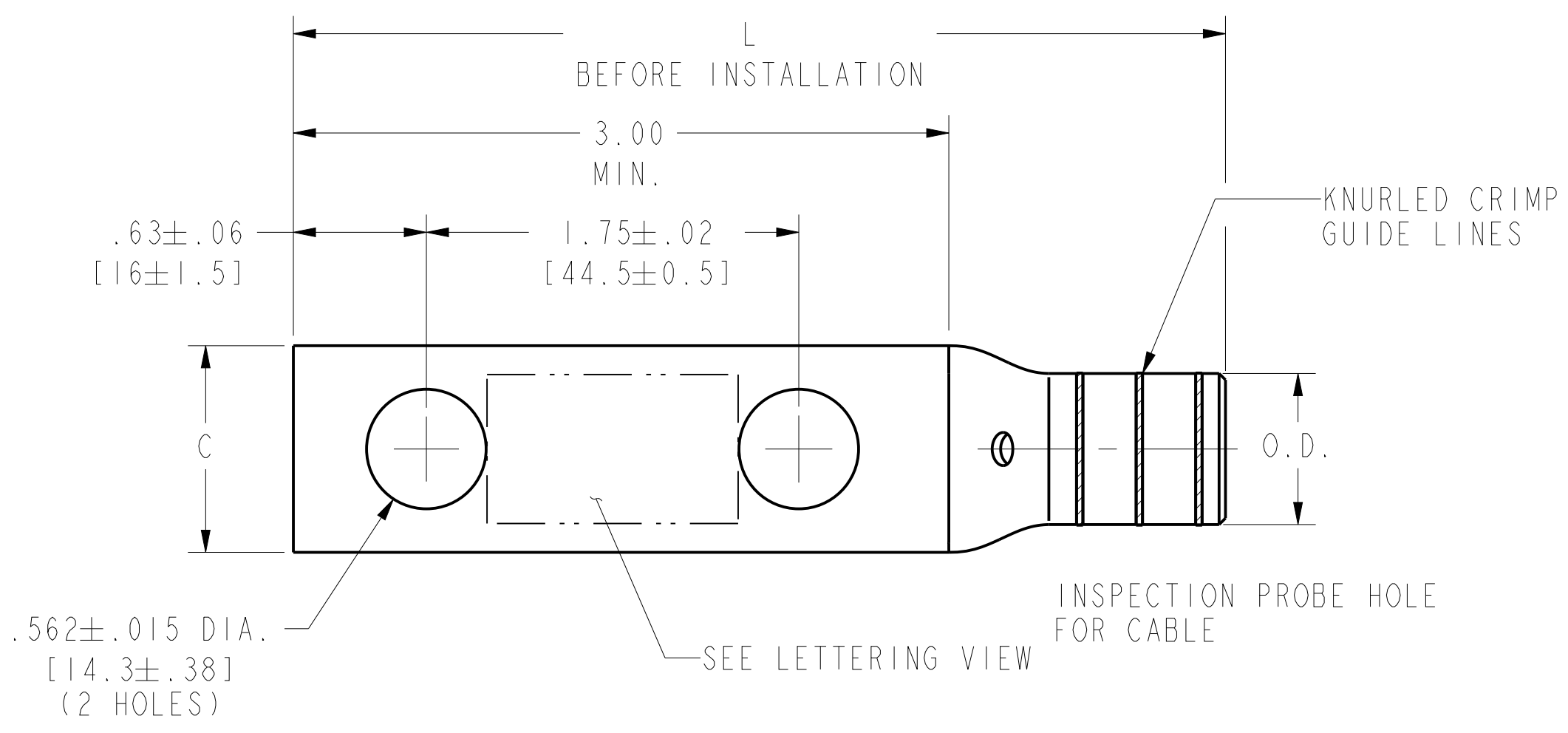
NOTES:

- MATERIAL: COPPER
- BARREL IS PREFILLED WITH PENETROX™ "E" AND INDIVIDUALLY SEALED.
- WHERE A "U" OR "PU" IS RECOMMENDED WITH THE Y45 HYPRESS™, A PT6515 ADAPTER MUST BE USED.
- WHERE A "U" OR "PU" IS RECOMMENDED WITH THE Y46 HYPRESS™, A PUADP-1 ADAPTER MUST BE USED.
- UL467 LISTED.
- LISTED UNDER UL486A FOR COPPER WIRE CONNECTORS.
- SUITABLE FOR DIRECT BURIAL IN EARTH OR CONCRETE.
- DIMENSIONS IN BRACKETS [] ARE IN MILLIMETERS, ROUNDED OFF TO THE NEAREST MILLIMETER UNLESS OTHERWISE NOTED. METRIC DIMENSIONS ARE FOR REFERENCE ONLY.

THE FOLLOWING KITS CAN BE ORDERED:

- YGHA282NKIT1 (1) YGHA282N HYLUG™
 (1) 1/2 OZ TUBE OF PENETROX™ "A"
 (2) 1/2 X 1-3/4 LG SILICON BRONZE HEX BOLTS
 (2) 1/2 SILICON BRONZE HEX NUTS
 (4) 1/2 SILICON BRONZE FLAT WASHERS
 (2) 1/2 SILICON BRONZE SPLIT LOCKWASHERS
- YGHA282NKIT2 SAME AS THE YGHA282NKIT1 EXCEPT ALL HARDWARE IS STAINLESS STEEL.
- YGHA282NKIT3 SAME AS THE YGHA282NKIT1 EXCEPT IT CONTAINS (2) 1/2 STAINLESS STEEL BELLEVILLE WASHERS INSTEAD OF (2) 1/2 SILICON BRONZE SPLIT LOCKWASHERS. EACH KIT IS PACKAGED IN A POLYBAG.

- CATALOG NUMBERS YGHA362N & YGHA392N WILL NOT HAVE UL OR CSA LISTING, AND WILL NOT BE MARKED "BURIAL", BECAUSE IT FALLS OUTSIDE THE RANGE TESTED FOR UL/CSA APPROVAL.
- FOR TIN PLATED PARTS ADD SUFFIX "TN" TO THE CATALOG NUMBER.
- FOR TIN PLATED PARTS WITH NO PENETROX™ ADD SUFFIX "TNP" TO THE CATALOG NUMBER.
- FOR UNDRILLED PARTS ADD SUFFIX "U" TO THE CATALOG NUMBER. UNDRILLED PARTS ARE NOT UL/CSA CERTIFIED.



- YGHA322N IS NOT UL/CSA CERTIFIED.
- FOR NICKEL PLATED PARTS ADD SUFFIX "NK" TO THE CATALOG NUMBER.

| HYLUG™ HEAVY DUTY, GROUND | | | |
|---------------------------|------------------|------------|---------------|
| ITEM NO: | N/A | | |
| CAT. NO: | YGHA-2N (TABLE) | | |
| DRAWN BY: | H.C. | 11/17/78 | BURNDY |
| CHECKER: | H.C. | 11/17/78 | |
| DSN APPVL: | ESG | 11/77/78 | |
| MFG APPVL: | -- | -- | |
| QA APPVL: | A.LLOYD | 8/18/92 | SCALE: 1:1 |
| MKT APPVL: | T.NELSON | 9/10/92 | |
| PROD FAM: | CM&R COMPRESSION | DRAWING NO | REV |
| PROJECT #: | -- | SIZE | SD082472-01 |
| DOCUMENT TYPE: | Sales | D | SHEET 1 OF 1 |
| REL LEVEL: | In Work | | H |

REV: PE0200